

# SILCOCK PEX CONNECTION



## TECHNICAL DATA

**DESCRIPTION:**  
Large Flange Sillcock Pex Connection

**CONSTRUCTION:**  
Lead Free Brass Body and Brass Stem, Cast Iron Handle, PTFE Packing

**FINISH:**  
Forged Brass finish

**CODE APPROVALS:**  
UPC approved. Complies w/ NSF-61

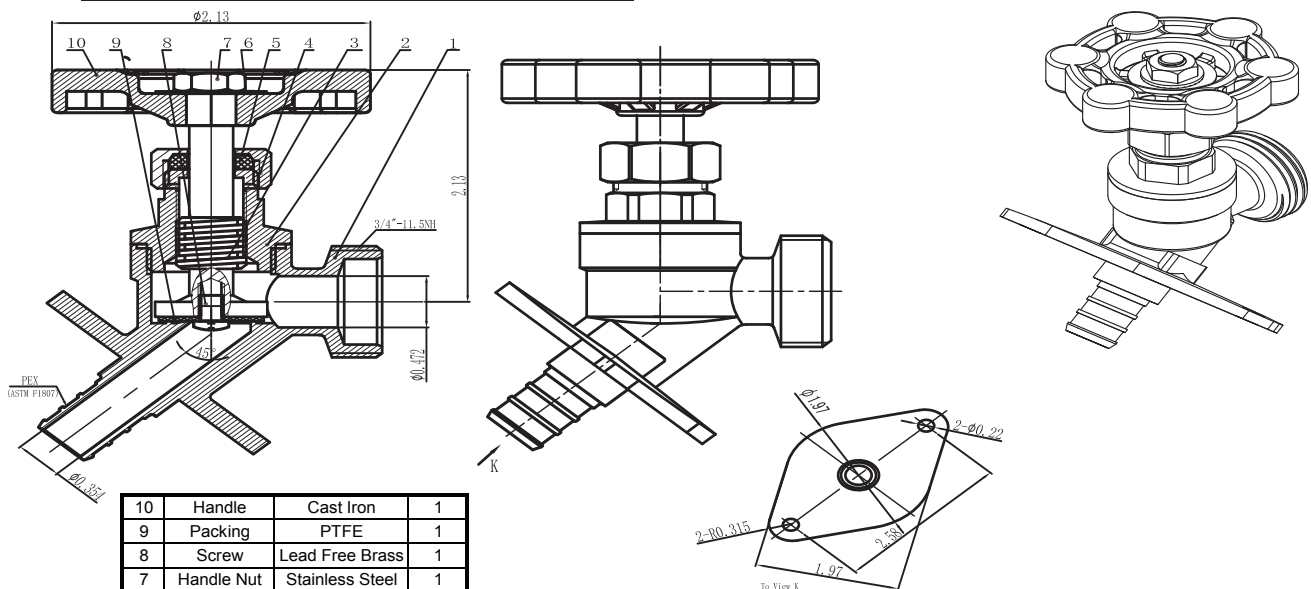
**PACKAGING:**  
Color Box w/ Barcode  
Inner carton: 10  
Master carton: 100

PART#	DESCRIPTION	FINISH
SC-PEX-LG	Large Flange Sillcock Pex Connection	Forged



Country of origin: China

## ROUGH IN DRAWING



10	Handle	Cast Iron	1
9	Packing	PTFE	1
8	Screw	Lead Free Brass	1
7	Handle Nut	Stainless Steel	1
6	Nameplate	Aluminum Alloy	1
5	Packing	PTFE	1
4	Nut	Brass	1
3	Stem	Lead Free Brass	1
2	Nut	Lead Free Brass	1
1	Body	Lead Free Brass	1
No.	Item	Material	Total

ALL DIMENSIONS SHOWN ARE NOMINAL

Meets requirements for NSF-61

